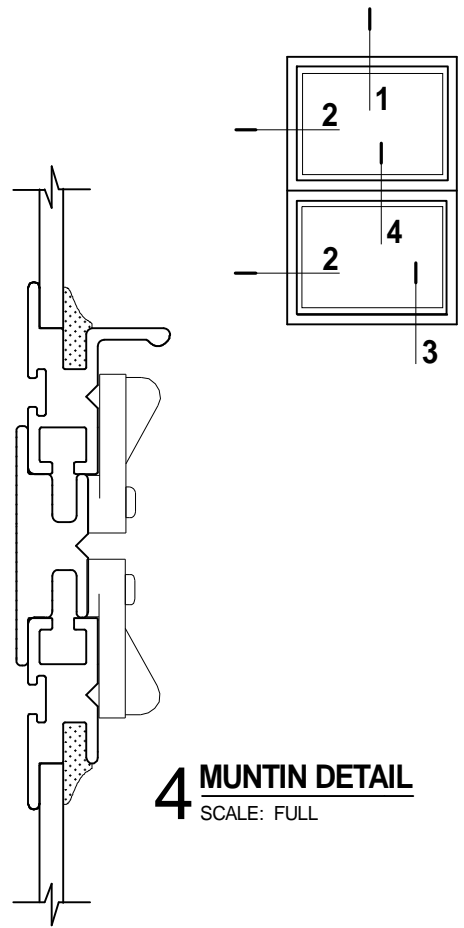
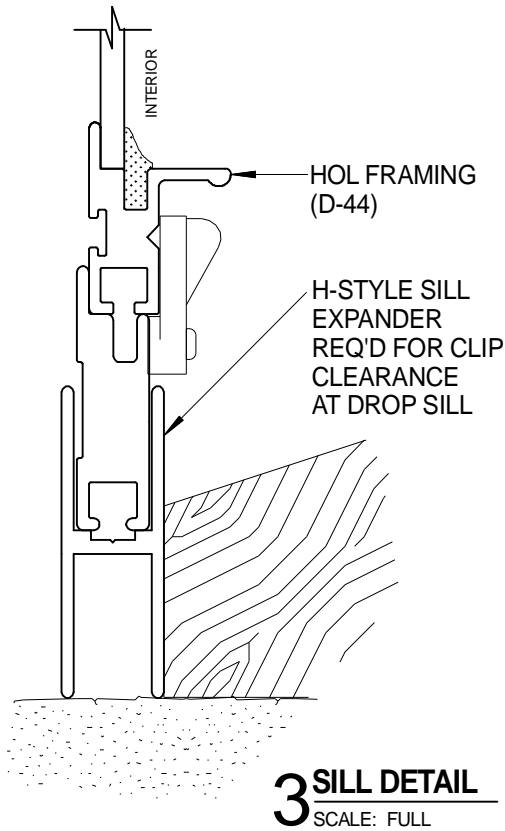


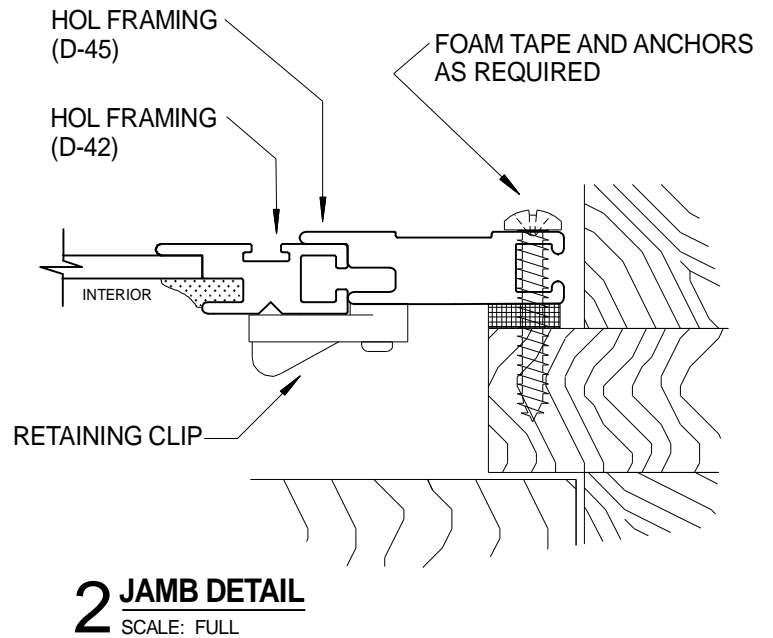
**1 HEAD DETAIL**  
SCALE: FULL



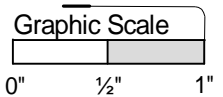
**4 MUNTIN DETAIL**  
SCALE: FULL



**3 SILL DETAIL**  
SCALE: FULL



**2 JAMB DETAIL**  
SCALE: FULL

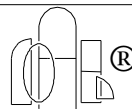


NOTE: INTERCHANGEABLE SCREEN AVAILABLE

PRODUCT  
HISTORIC ONE LITE • HOL-C  
TWO (2) REMOVABLE PANELS

DWG. NO.

**H-4**



**Allied Window**  
Performance Panels®

11111 CANAL ROAD • CINCINNATI, OH 45241 • PH: 800-445-5411, 513-559-1212 • FAX: 513-559-1883 • www.alliedwindow.com • info@alliedwindow.com